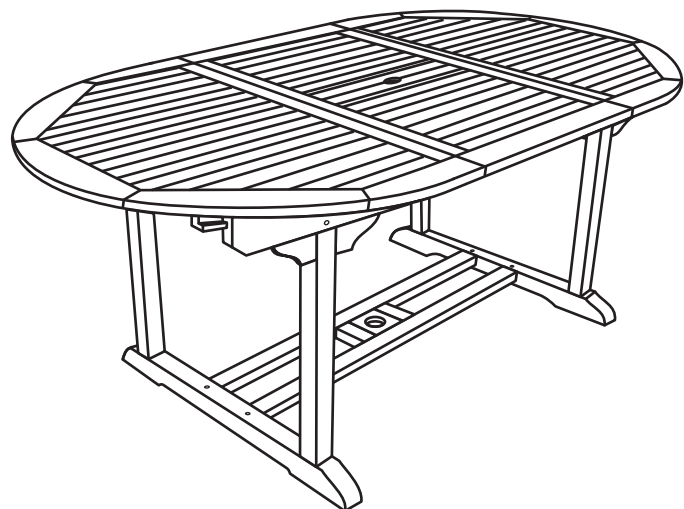
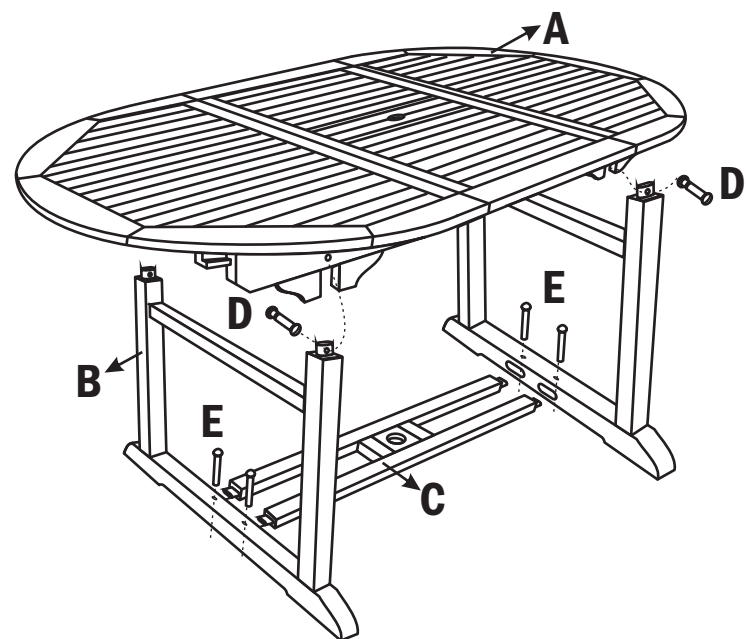


602.005

EXTENDABLE ROUND TABLE 100/140 - SEYCHELLES

100 - 140 X 100 X 75 CM

ASSEMBLY INSTRUCTION



LIST OF PARTS

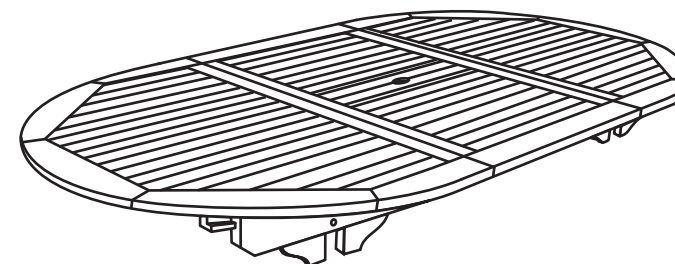
POS

QTY

COMPONENT

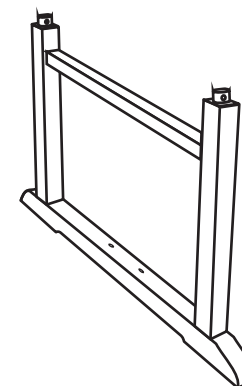
A

1



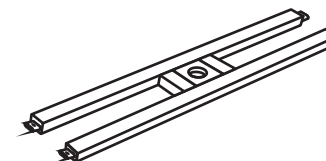
B

2



C

1



D

4



3 CM

E

4



5,5 CM