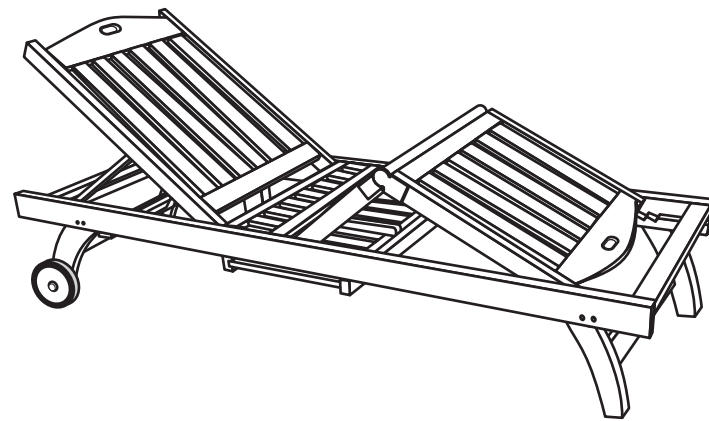
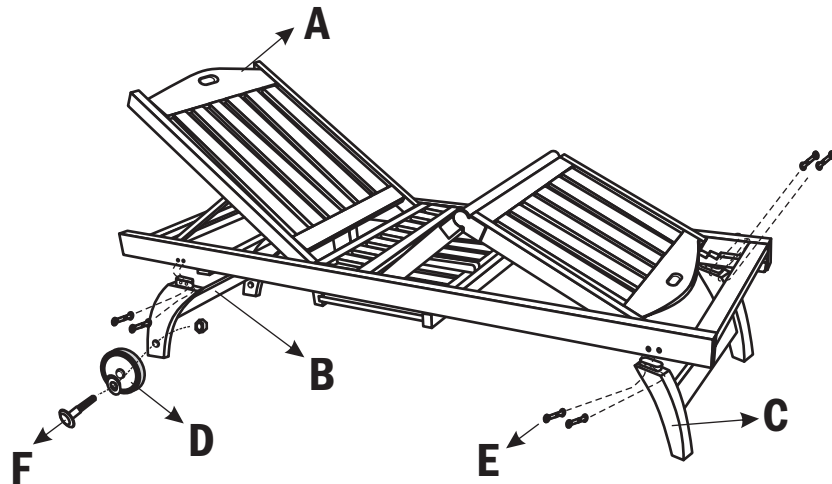


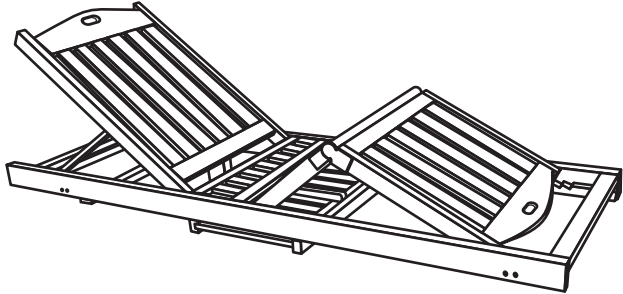
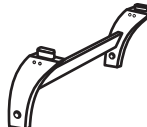



606.005

BANGKA SUNBED

ASSEMBLY INSTRUCTION



LIST OF PARTS

POS	QTY	COMPONENT
A	1	
B	1	
C	1	
D	2	
E	8	
F	2	