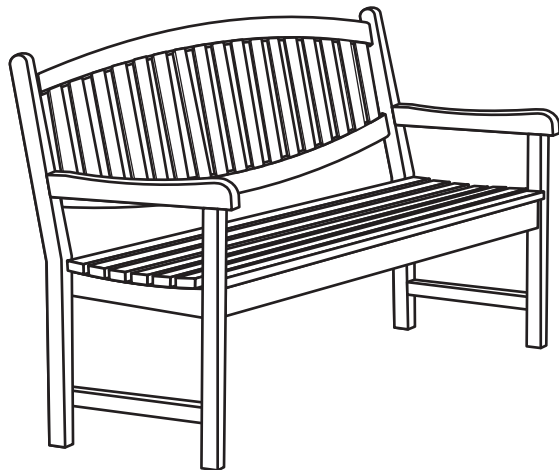
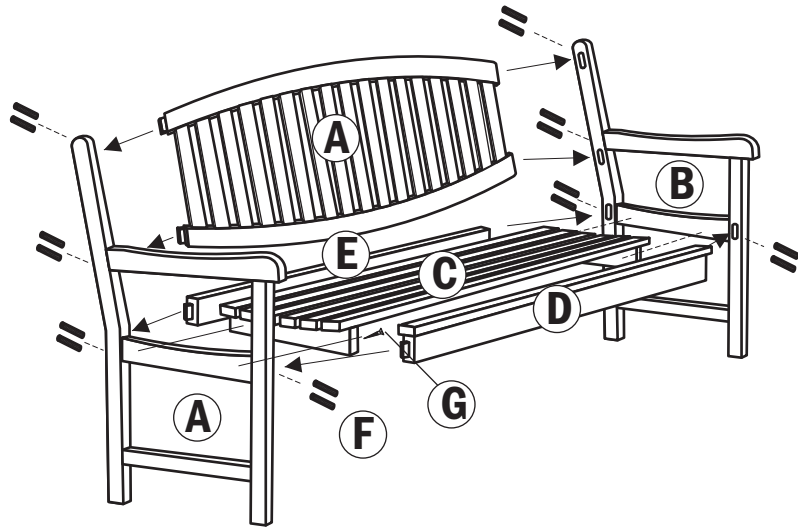


**607.005**

# BANQUETTE SINGARAJA

ASSEMBLY INSTRUCTION



LIST OF PARTS

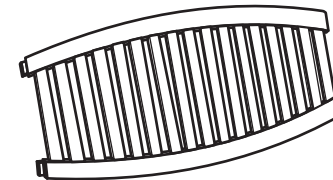
POS

QTY

COMPONENT

A

1



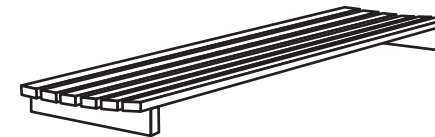
B

2



C

1



D

1



E

1



F

16



G

4

