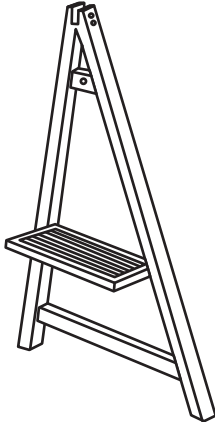
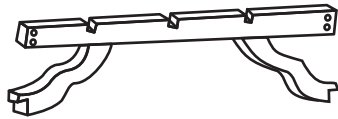
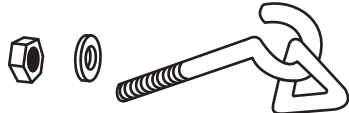



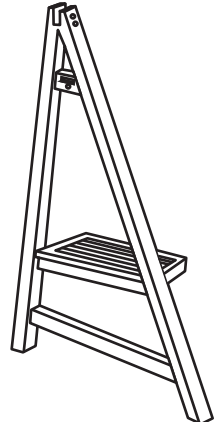
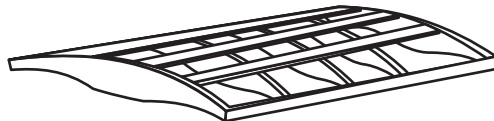

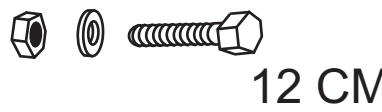

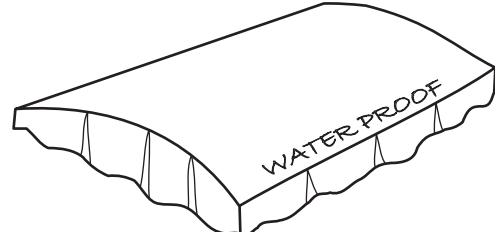

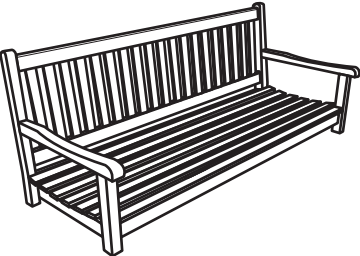


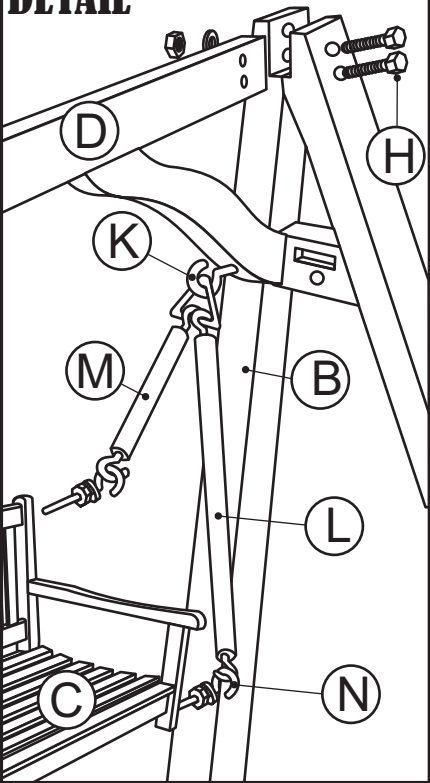
# 607.009

# SANUR BENCH - GLIDER

## LIST OF PARTS

POS	QTY	COMPONENT	POS	QTY	COMPONENT	POS	QTY	COMPONENT
A	1	 <p>RIGHT</p>	D	1		K	2	
			E	1				
			F	1		L	2	 <p>LONG</p>
B	1	 <p>LEFT</p>	G	1		M	2	 <p>SHORT</p>
			H	4	 <p>12 CM</p>			
			I	2	 <p>10 CM</p>	O	1	 <p>WATER PROOF</p>
J	2	 <p>8 CM</p>						
C	1							

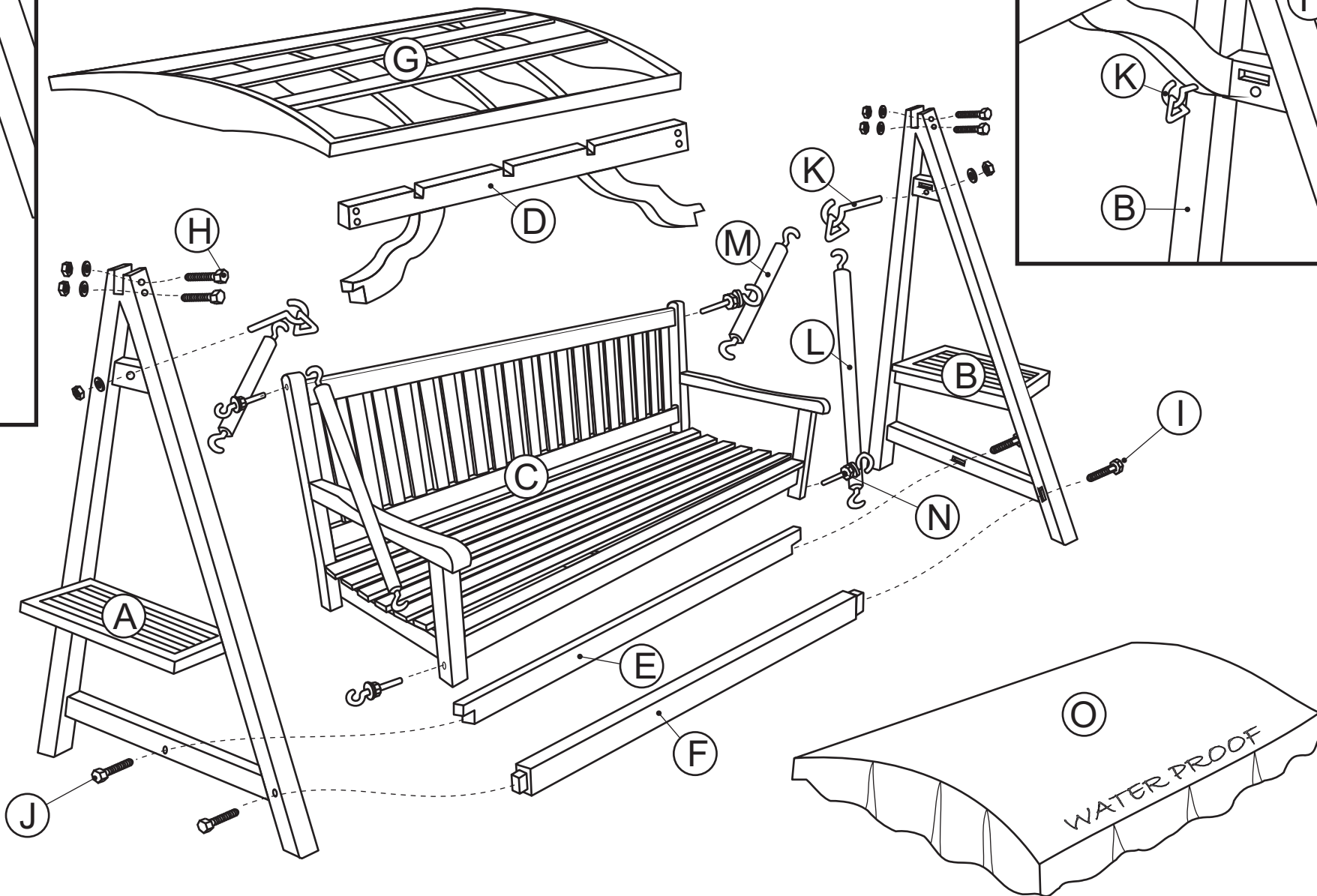
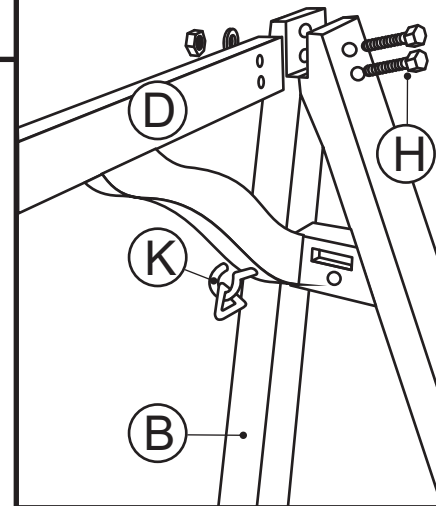
DETAIL



607.009

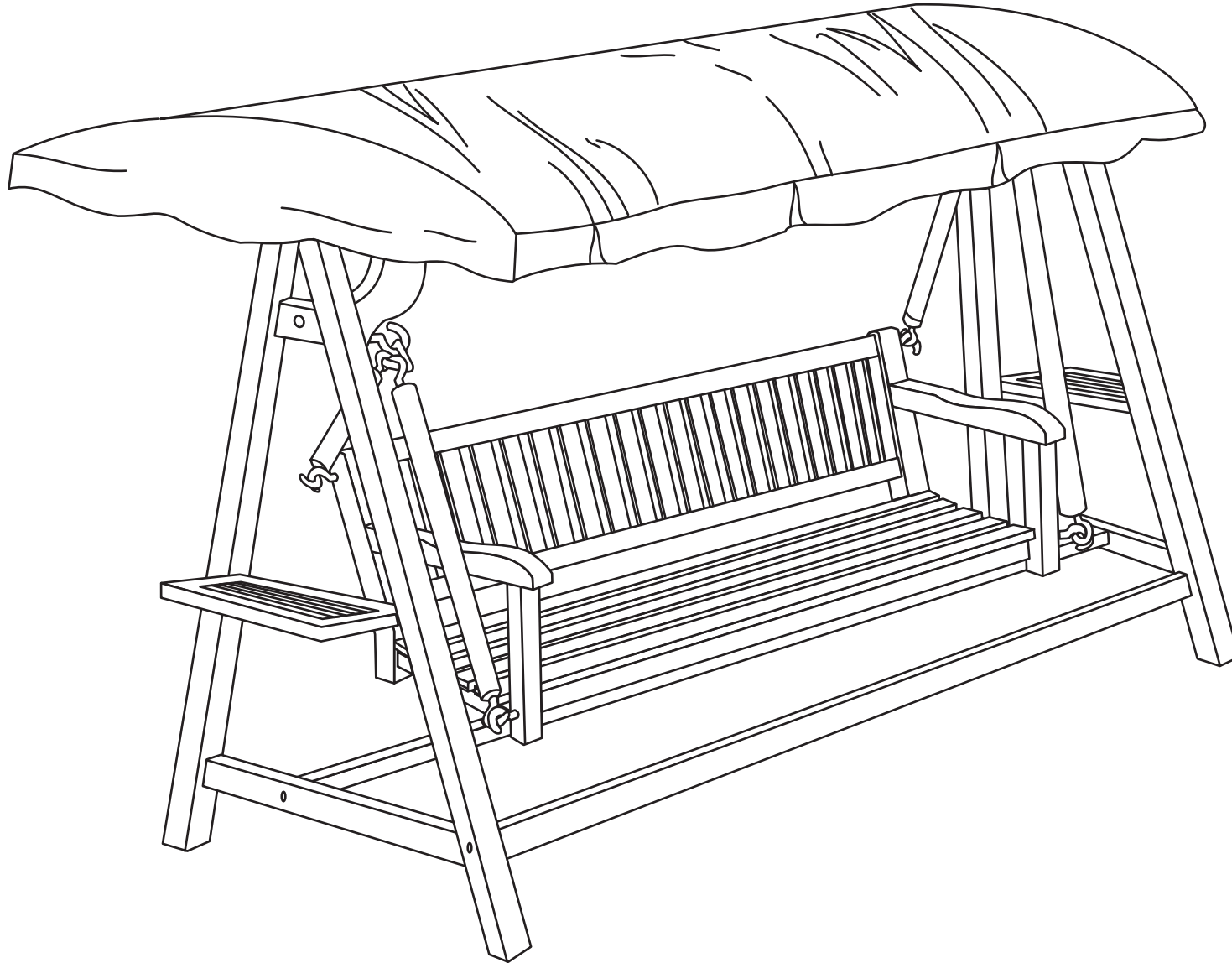
SANUR BENCH - GLIDER

DETAIL



607.009

# SANUR BENCH - GLIDER



**FINISH PRODUCT**